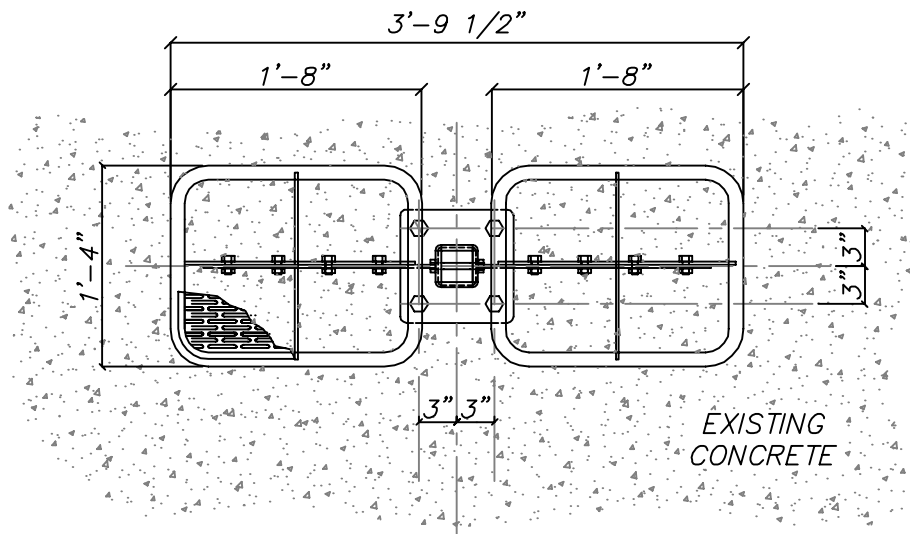
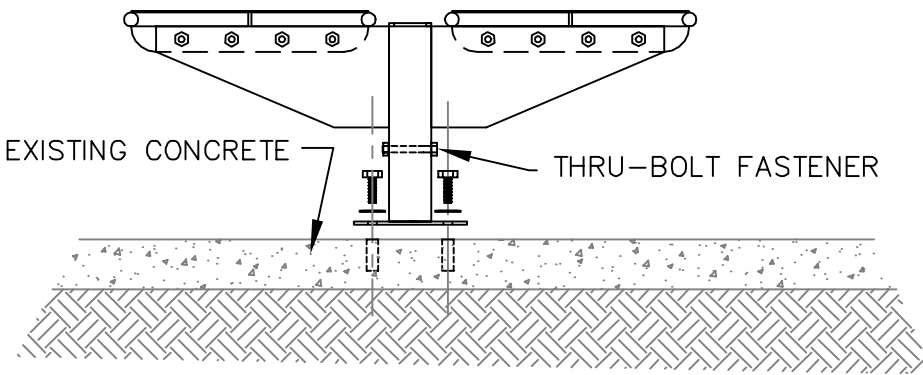


**SS-1**

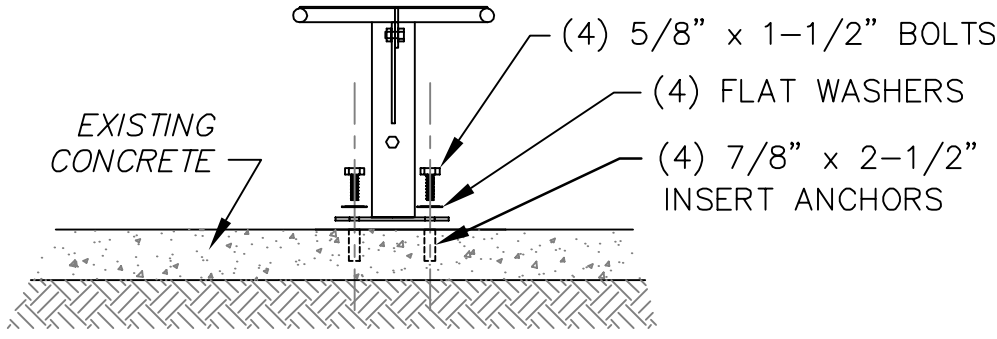


*PLAN*



*FRONT ELEVATION*

NOTE: WHEN INSTALLED ACCORDING TO THESE INSTRUCTIONS, THIS STRUCTURE WILL WITHSTAND THE WIND SHEAR FORCES CREATED BY MAXIMUM WIND VELOCITIES OF 125 MILES PER HOUR.



*SIDE ELEVATION*

*INSTALLATION ON EXISTING CONCRETE*

*SIMME L.L.C.  
555 CHERRY DRIVE  
EUGENE, OR 97401*

*TEL. (541)338-7993  
WWW.SIMMESEAT.COM  
SIMME-SEAT@COMCAST.NET*