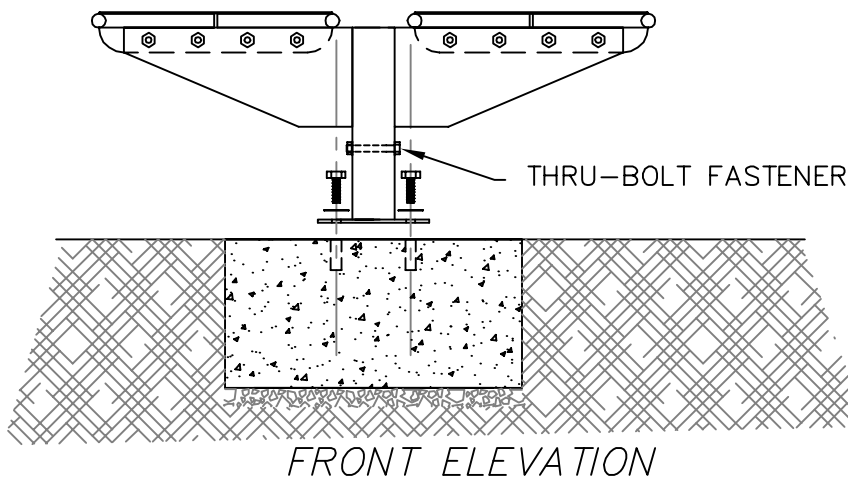
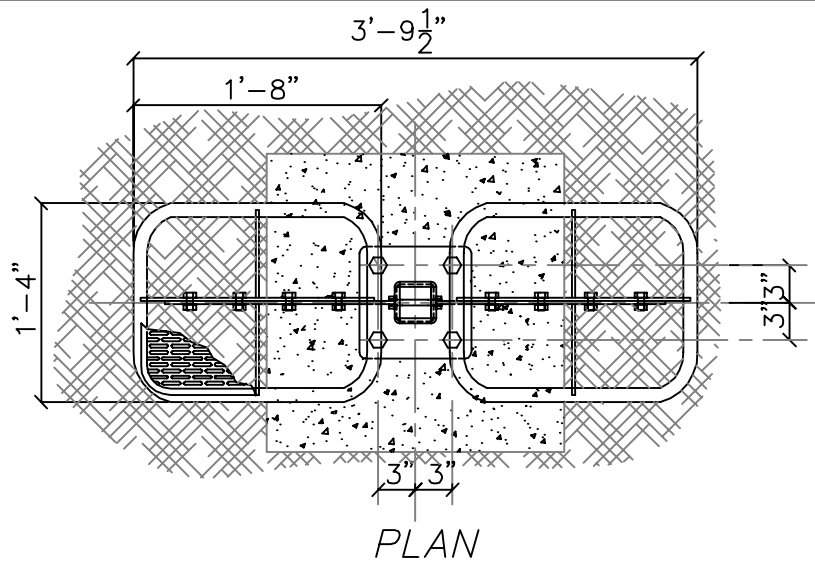
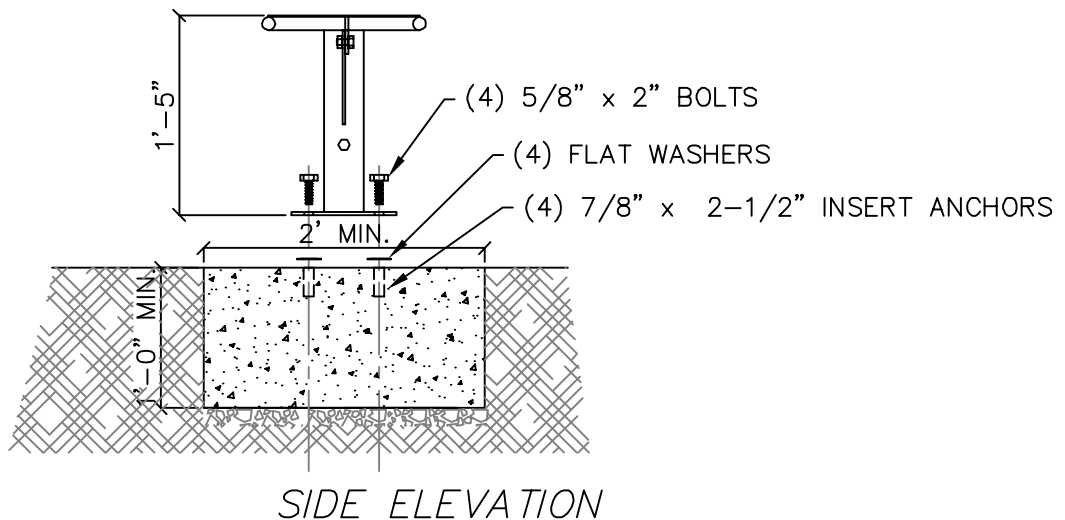


SS-3



NOTE: WHEN INSTALLED ACCORDING TO THESE INSTRUCTIONS, THIS STRUCTURE WILL WITHSTAND THE WIND SHEAR FORCES CREATED BY MAXIMUM WIND VELOCITIES OF 125 MILES PER HOUR.



INSTALLATION AT ISOLATED REMOTE LOCATION

SIMME L.L.C.
555 CHERRY DRIVE
EUGENE, OR 97401

TEL. (541)338-7993
WWW.SIMMESEAT.COM
SIMME-SEAT@COMCAST.NET