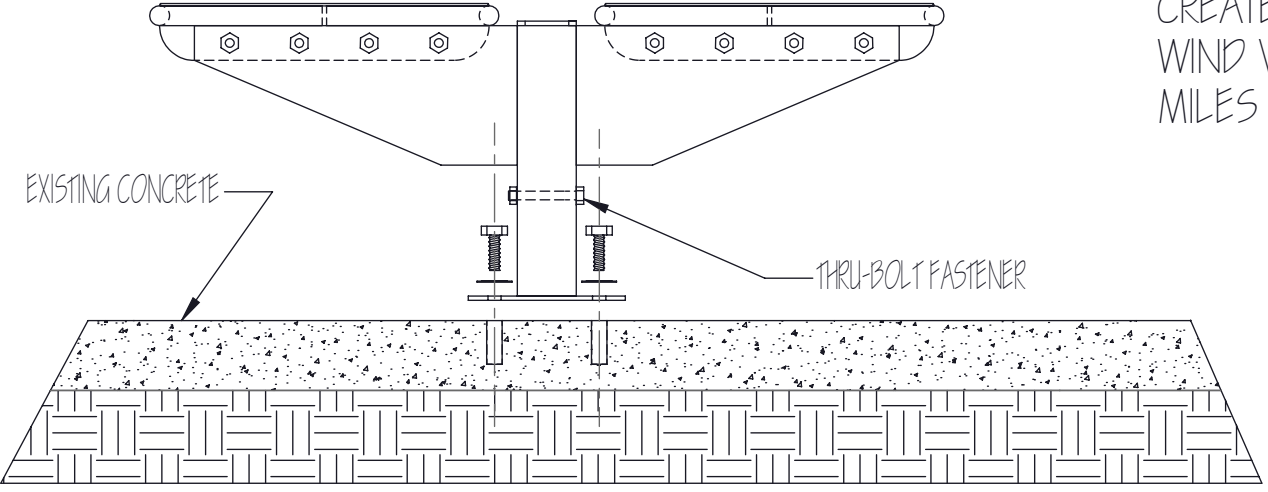
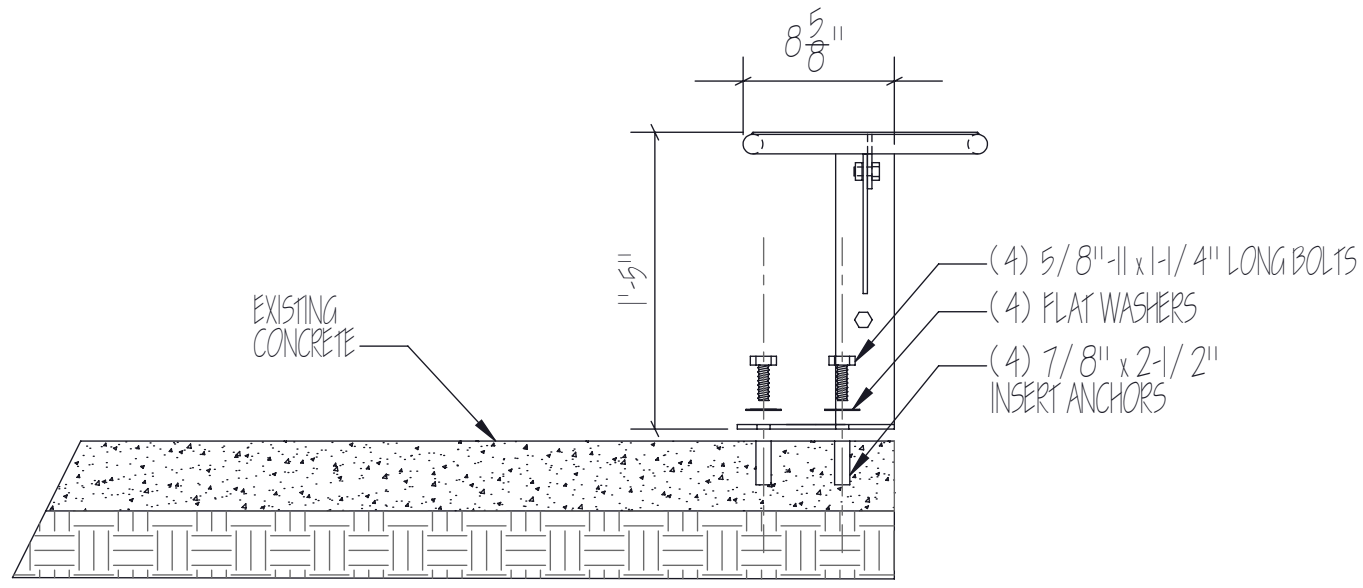


PLAN

NOTE: WHEN INSTALLED ACCORDING TO THESE INSTRUCTIONS, THIS STRUCTURE WILL WITHSTAND THE WIND SHEAR FORCES CREATED BY MAXIMUM WIND VELOCITIES OF 125 MILES PER HOUR.



FRONT ELEVATION

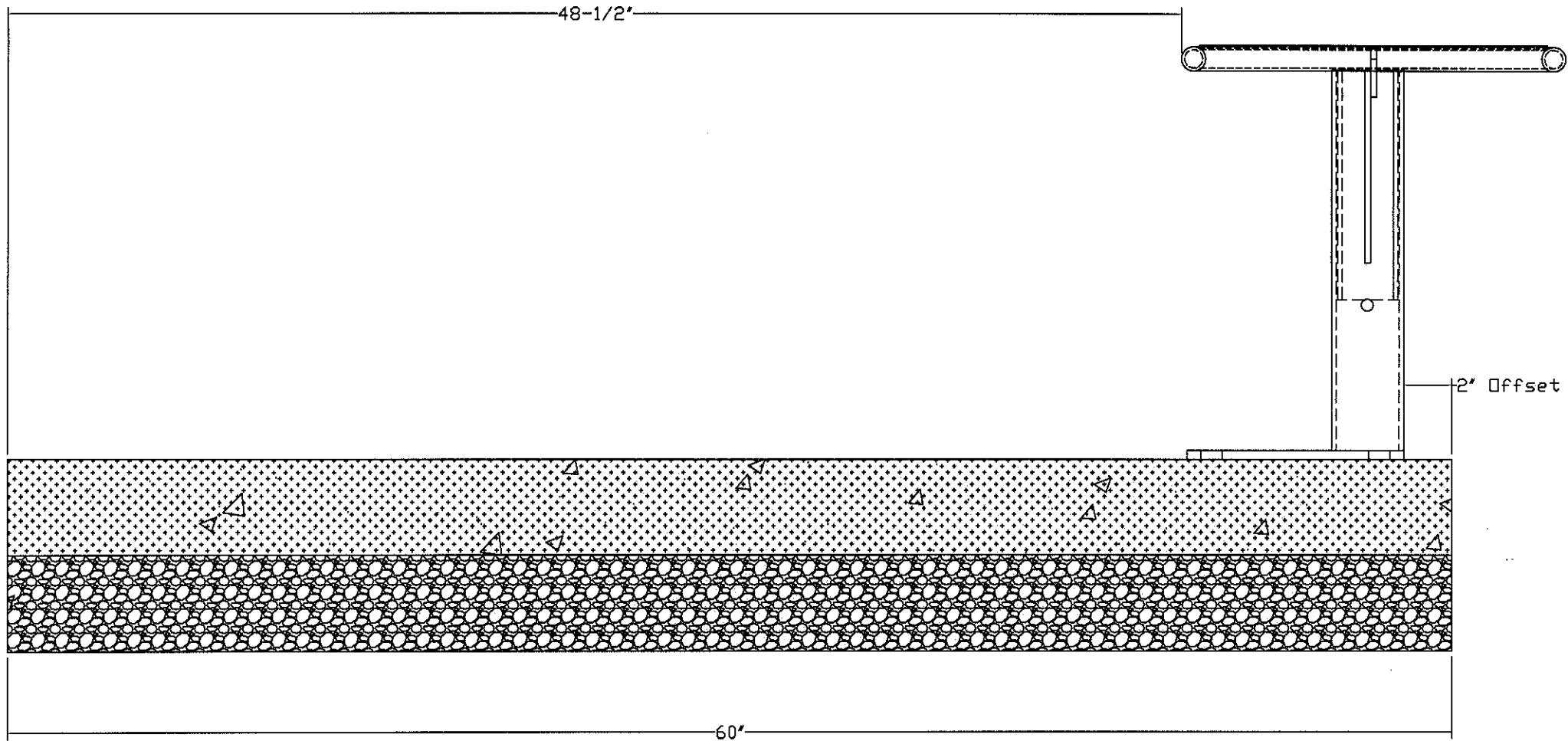


SIDE ELEVATION

INSTALLATION ON EXISTING CONCRETE, EDGE

SIMME L.L.C  
 555 CHERRY DRIVE  
 EUGENE, OR 97401

TEL. (541) 338-7993  
 E-MAIL: SIMME-SEAT@COMCAST.NET  
 WWW.SIMMESEAT.COM



Installation on Existing Concrete  
of Off-Set Simme Seat