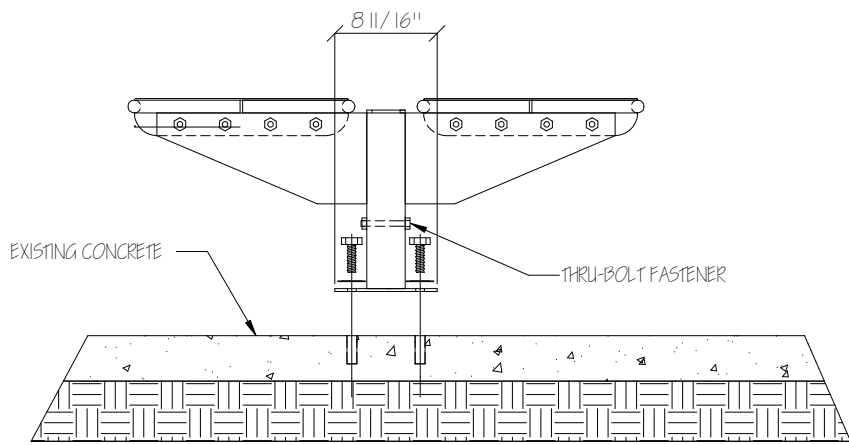


SERIAL #:
4d36b989999e20a51b6cde8e

PLAN

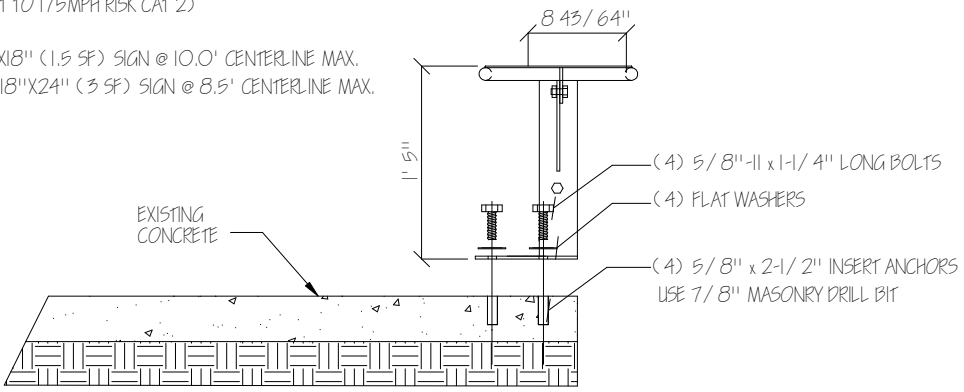


FRONT ELEVATION

NOTE: WHEN INSTALLED ACCORDING TO THESE INSTRUCTIONS, THIS STRUCTURE WILL WITHSTAND THE WIND FORCES CREATED BY A MAXIMUM:

RISK CATEGORY I WIND VELOCITY - UP TO 162MPH (COVERS ALL SOUTH FLORIDA EQUIVALENT TO 175MPH RISK CAT 2)

ANY EXP. CAT. - 12"X18" (1.5 SF) SIGN @ 10.0' CENTERLINE MAX.
UP TO EXP. CAT. C - 18"X24" (3 SF) SIGN @ 8.5' CENTERLINE MAX.



SIDE ELEVATION

INSTALLATION ON EXISTING CONCRETE, EDGE

SIMME L.L.C
555 CHERRY DRIVE
EUGENE, OR 97401

TEL. (541) 338-7993
E-MAIL: SIMME-SEAT@COMCAST.NET
WWW.SIMMESEAT.COM