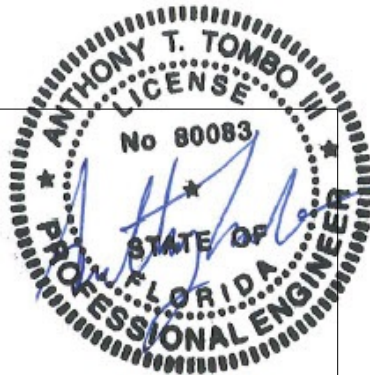
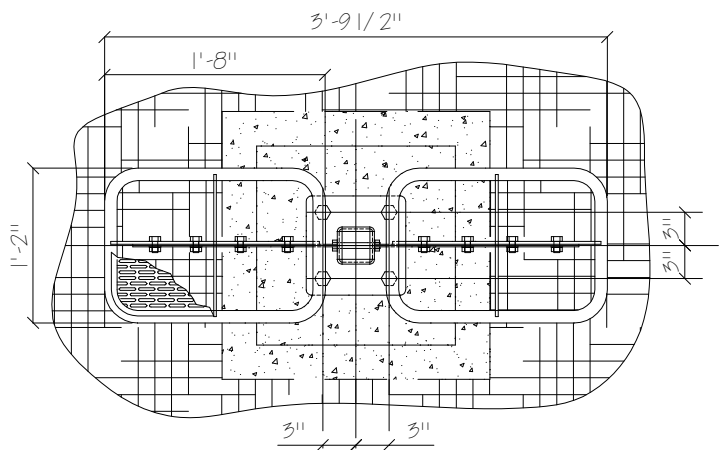


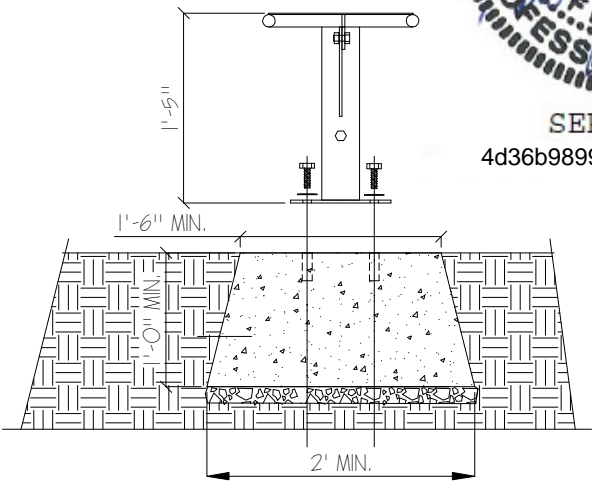
SIMME-SEAT INSTALLATION INSTRUCTIONS



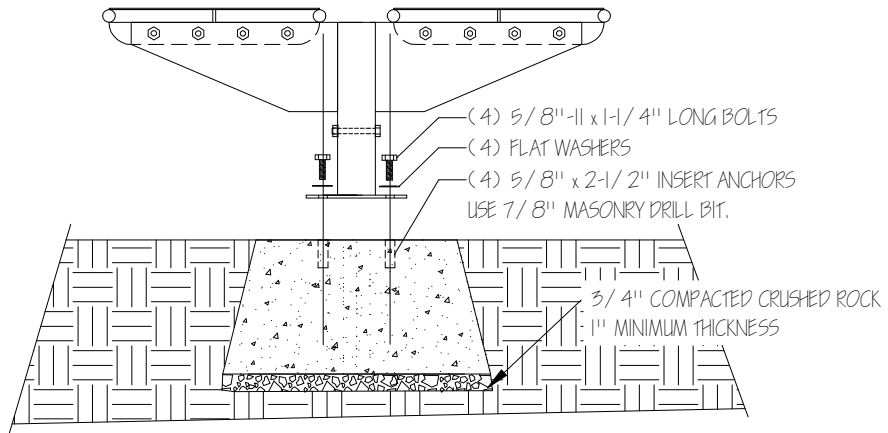
SERIAL #:
4d36b98999e20a51b6cde8e



PLAN



SIDE ELEVATION



FRONT ELEVATION

NOTE: WHEN INSTALLED ACCORDING TO THESE INSTRUCTIONS, THIS STRUCTURE WILL WITHSTAND THE WIND FORCES CREATED BY A MAXIMUM:

RISK CATEGORY I WIND VELOCITY - UP TO 162MPH (COVERS ALL SOUTH FLORIDA EQUIVALENT TO 175MPH RISK CAT 2)

ANY EXP. CAT. - 12"X18" (1.5 SF) SIGN @ 10.0' CENTERLINE MAX.
UP TO EXP. CAT. C - 18"X24" (3 SF) SIGN @ 8.5' CENTERLINE MAX.

INSTALLATION AT REMOTE LOCATION

Simme L.L.C. 555 Cherry Drive Eugene, OR 97401 TEL. (541) 538-7993 E-MAIL: SIMME-SEAT@COMCAST.COM		DATE: 3/6/2019	FILE NO: 55-3
DWN BY: JB	APP BY: CS	PLOT SCALE: NONE	
DWG NO.: SS-3			